

PARTS LIST

CAUTION

- The parts identified by the \triangle symbol are important for the safety. Whenever replacing these parts, be sure to use specified ones to secure the safety.
- The parts not indicated in this Parts List and those which are filled with lines — in the Parts No. columns will not be supplied.
- P. W. Board Ass'y will not be supplied, but those which are filled with the Parts No. in the Parts No. columns will be supplied.

ABBREVIATIONS OF RESISTORS, CAPACITORS AND TOLERANCES

RESISTORS		CAPACITORS	
C R	Carbon Resistor	C CAP.	Ceramic Capacitor
F R	Fusible Resistor	E CAP.	Electrolytic Capacitor
P R	Plate Resistor	M CAP.	Mylar Capacitor
V R	Variable Resistor	HV CAP.	High Voltage Capacitor
HV R	High Voltage Resistor	MF CAP.	Metalized Film Capacitor
MF R	Metal Film Resistor	MM CAP.	Metalized Mylar Capacitor
MG R	Metal Glazed Resistor	MP CAP.	Metalized Polystyrol Capacitor
MP R	Metal Plate Resistor	PP CAP.	Polypropylene Capacitor
OM R	Metal Oxide Film Resistor	PS CAP.	Polystyrol Capacitor
CMF R	Coating Metal Film Resistor	TF CAP.	Thin Film Capacitor
UNF R	Non-Flammable Resistor	MPP CAP.	Metalized Polypropylene Capacitor
CH V R	Chip Variable Resistor	TAN. CAP.	Tantalum Capacitor
CH MG R	Chip Metal Glazed Resistor	CH C CAP.	Chip Ceramic Capacitor
COMP. R	Composition Resistor	BP E CAP.	Bi-Polar Electrolytic Capacitor
LPTC R	Linear Positive Temperature Coefficient Resistor	CH AL E CAP.	Chip Aluminum Electrolytic Capacitor
		CH AL BP CAP.	Chip Aluminum Bi-Polar Capacitor
		CH TAN. E CAP.	Chip Tantalum Electrolytic Capacitor
		CH AL BP E CAP.	Chip Tantalum Bi-Polar Electrolytic Capacitor

TOLERANCES									
F	G	J	K	M	N	R	H	Z	P
$\pm 1\%$	$\pm 2\%$	$\pm 5\%$	$\pm 10\%$	$\pm 20\%$	$\pm 30\%$	+30% -10%	+50% -10%	+80% -20%	+100% -0%

CONTENTS

- USING P.W. BOARD & REMOTE CONTROL UNIT 30
- EXPLODED VIEW PARTS LIST 31, 32
- EXPLODED VIEW 31, 33

- PRINTED WIRING BOARD PARTS LIST
- [AV-N29302/S]
- MAIN PW BOARD ASS'Y [SFD-1007A-M2] 34
- POWER PW BOARD ASS'Y [SFD-9001A-M2] 38

- [AV-N29302/R]
- MAIN PW BOARD ASS'Y [SFD-1006A-M2] 39
- POWER PW BOARD ASS'Y [SFD-9001A-M2] 42

- REMOTE CONTROL UNIT PARTS LIST 43
- PACKING PARTS LIST 44
- PACKING 45

USING P.W. BOARD & REMOTE CONTROL UNIT

P.W.B ASS'Y \ Model	AV-N29302/S	AV-N29302/R
MAIN P.W.B	SFD-1007A-M2	SFD-1006A-M2
POWER P.W.B	SFD-9001A-M2	←
REMOTE CONTROL UNIT	RM-C303G-1A	←

EXPLODED VIEW PARTS LIST (1)

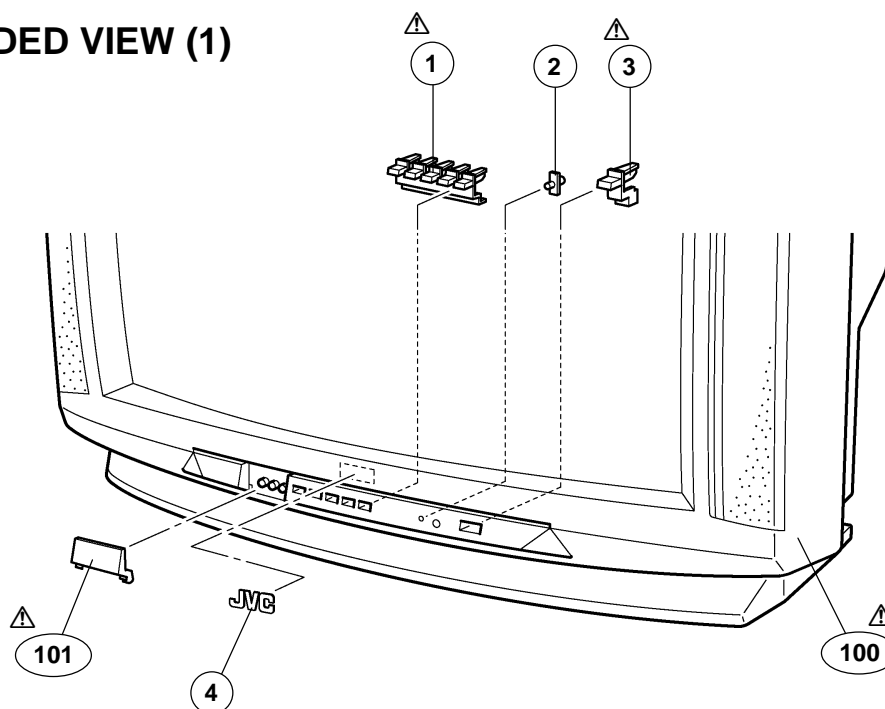
AV-N29302/S

△ Ref.No.	Part No.	Part Name	Description
△ 1	GQ30025-002A-A	CONTROL KNOB	
△ 2	LC30191-004A-A	REMOCON LENS	
△ 3	GQ30026-002A-A	POWER KNOB	
△ 4	CM48006-007-C	JVC MARK	
△ 100	GQ10018-001A-A	FRONT CABI.ASSY	Inc.No.101
△ 101	GQ30024-002A-A	DOOR	

AV-N29302/R

△ Ref.No.	Part No.	Part Name	Description
△ 1	GQ30025-002A-A	CONTROL KNOB	
△ 2	LC30191-004A-A	REMOCON LENS	
△ 3	GQ30026-002A-A	POWER KNOB	
△ 4	CM48006-007-C	JVC MARK	
△ 100	GQ10018-001A-A	FRONT CABI.ASSY	Inc.No.101
△ 101	GQ30024-002A-A	DOOR	

EXPLODED VIEW (1)



EXPLODED VIEW PARTS LIST (2)

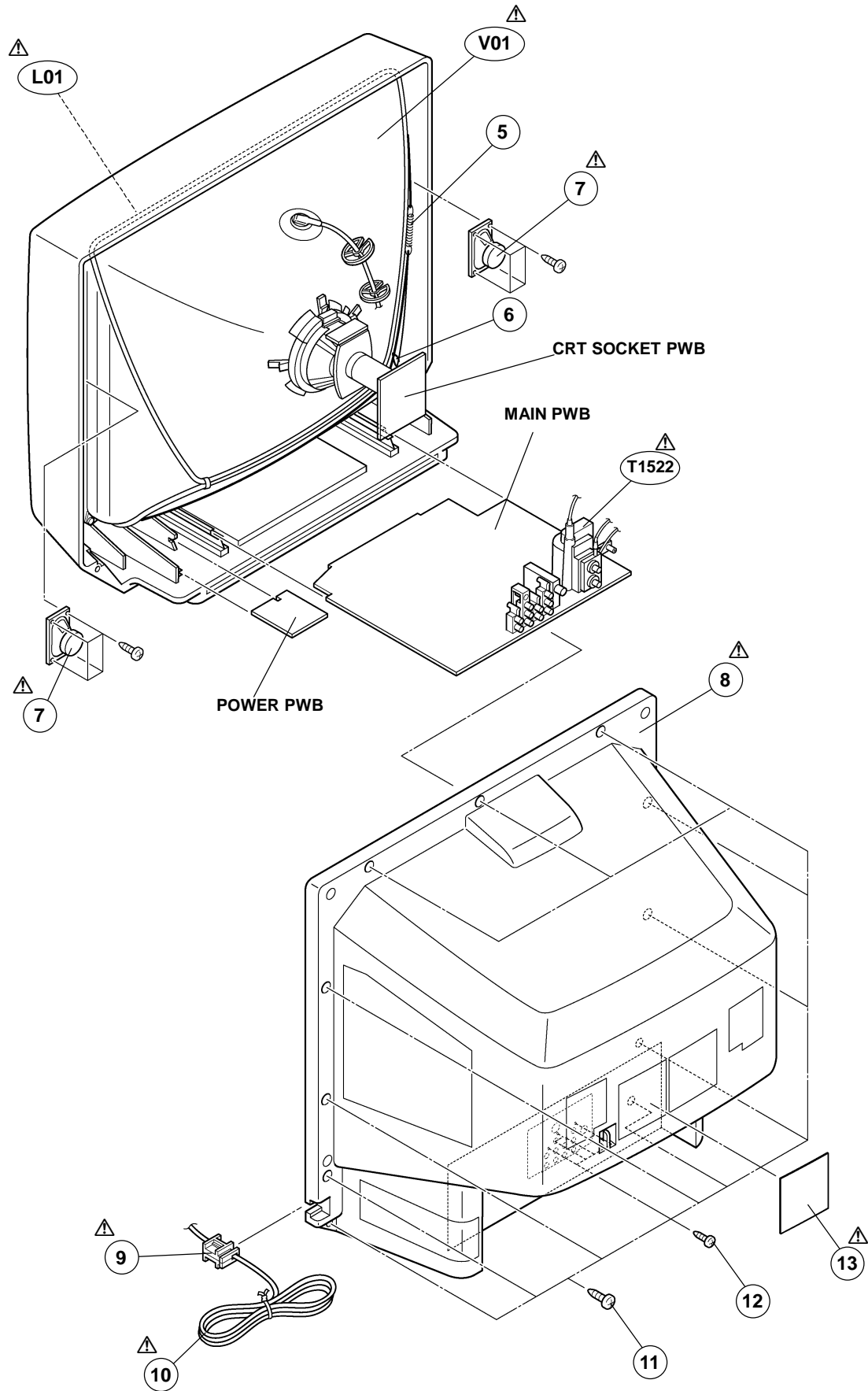
AV-N29302/s

△ Ref.No.	Part No.	Part Name	Description
△ V01	A68QDN891X001	ITC TUBE(C)	Inc.DY,PC MAGNET, WEDGE
△ L01	CE41329-00DJB	DEG.COIL	
△ T1522	QQH0028-001	H.V.TRANSF.	
5	CHGB0015-0B	BRAIDED WIRE	
6	CHGB0016-0C	BRAIDED WIRE(SUB)	
△ 7	CEBSS09D-03KJ2	SPEAKER	(×2)SP01,SP02
△ 8	GQ10017-001A-A	REAR COVER	
△ 9	LC20106-001D-A	POWER CORD CLAMP	
△ 10	QMPD290-200-JC	POWER CORD	
11	QYSB5FG4016Z	TAPPING SCREW	(×11)
12	QYSBSB3010Z	TAPPING SCREW	(×4)
△ 13	GQ20001-001A-A	RATING LABEL	
--	CM48144-001-A	P.W.B.STOPPER	

AV-N29302/R

△ Ref.No.	Part No.	Part Name	Description
△ V01	A68ADT25X881	ITC TUBE(C)	Inc.DY,PC MAGNET, WEDGE
△ L01	CE41329-00DJB	DEG.COIL	
△ T1522	QQH0028-001	H.V.TRANSF.	
5	CHGB0015-0B	BRAIDED WIRE	
6	CHGB0016-0C	BRAIDED WIRE(SUB)	
△ 7	CEBSS09D-03KJ2	SPEAKER	(×2)SP01,SP02
△ 8	GQ10017-001A-A	REAR COVER	
△ 9	LC20106-001D-A	POWER CORD CLAMP	
△ 10	QMPD290-200-JC	POWER CORD	
11	QYSB5FG4016Z	TAPPING SCREW	(×11)
12	QYSBSB3010Z	TAPPING SCREW	(×4)
△ 13	GQ20001-001A-A	RATING LABEL	
--	CM48144-001-A	P.W.B.STOPPER	

EXPLODED VIEW (2)



AV-N29302/s

PRINTED WIRING BOARD PARTS LIST

MAIN P.W. BOARD ASS'Y (SFD-1007A-M2)

△ Symbol No.	Part No.	Part Name	Description
RESISTOR			
R1001	NRSA63J-473X	MG R	47kΩ 1/16W J
R1002	NRSA63J-0R0X	MG R	0.0Ω 1/16W J
R1003-04	NRSA63J-221X	MG R	220Ω 1/16W J
R1011	NRSA63J-820X	MG R	82Ω 1/16W J
R1012	NRSA63J-182X	MG R	1.8kΩ 1/16W J
R1013	NRSA63J-562X	MG R	5.6kΩ 1/16W J
R1014	QRE121J-101Y	C R	100Ω 1/2W J
R1015	NRSA63J-180X	MG R	18Ω 1/16W J
R1016	NRSA63J-270X	MG R	27Ω 1/16W J
R1018-19	NRSA63J-104X	MG R	100kΩ 1/16W J
R1020	NRSA63J-332X	MG R	3.3kΩ 1/16W J
R1021	NRSA63J-123X	MG R	12kΩ 1/16W J
R1022	NRSA63J-151X	MG R	150Ω 1/16W J
R1024	NRSA63J-102X	MG R	1kΩ 1/16W J
R1025	NRSA63J-271X	MG R	270Ω 1/16W J
R1026	NRSA63J-331X	MG R	330Ω 1/16W J
R1028	NRSA63J-561X	MG R	560Ω 1/16W J
R1035	NRSA63J-152X	MG R	1.5kΩ 1/16W J
R1041	NRSA63J-272X	MG R	2.7kΩ 1/16W J
R1042-43	NRSA63J-102X	MG R	1kΩ 1/16W J
R1047	NRSA63J-153X	MG R	15kΩ 1/16W J
R1048	NRSA63J-154X	MG R	150kΩ 1/16W J
R1101-02	NRSA63J-101X	MG R	100Ω 1/16W J
R1111	NRSA63J-105X	MG R	1MΩ 1/16W J
R1201	NRSA63J-333X	MG R	33kΩ 1/16W J
R1214	NRSA63J-750X	MG R	75Ω 1/16W J
R1215	NRSA63J-0R0X	MG R	0.0Ω 1/16W J
R1221	NRSA63J-102X	MG R	1kΩ 1/16W J
R1222	NRSA63J-222X	MG R	2.2kΩ 1/16W J
R1223	NRSA63J-153X	MG R	15kΩ 1/16W J
R1224	NRSA63J-333X	MG R	33kΩ 1/16W J
R1226	NRSA63J-102X	MG R	1kΩ 1/16W J
R1227	NRSA63J-181X	MG R	180Ω 1/16W J
R1228	NRSA63J-152X	MG R	1.5kΩ 1/16W J
R1229	NRSA63J-182X	MG R	1.8kΩ 1/16W J
R1232	NRSA63J-0R0X	MG R	0.0Ω 1/16W J
R1233	NRSA63J-474X	MG R	470kΩ 1/16W J
R1234-35	NRSA63J-103X	MG R	10kΩ 1/16W J
R1236	NRSA63J-821X	MG R	820Ω 1/16W J
R1239	NRSA63J-101X	MG R	100Ω 1/16W J
R1241	NRSA63J-101X	MG R	100Ω 1/16W J
R1242	NRSA63J-123X	MG R	12kΩ 1/16W J
R1243	NRSA63J-822X	MG R	8.2kΩ 1/16W J
R1261	NRSA63J-101X	MG R	100Ω 1/16W J
R1262	NRSA63J-222X	MG R	2.2kΩ 1/16W J
R1263	NRSA63J-471X	MG R	470Ω 1/16W J
R1265-66	NRSA63J-681X	MG R	680Ω 1/16W J
R1271-72	NRSA63J-682X	MG R	6.8kΩ 1/16W J
R1276	NRSA63J-102X	MG R	1kΩ 1/16W J
R1281	NRSA63J-182X	MG R	1.8kΩ 1/16W J
R1282	NRSA63J-682X	MG R	6.8kΩ 1/16W J
R1283	NRSA63J-681X	MG R	680Ω 1/16W J
R1285	NRSA63J-103X	MG R	10kΩ 1/16W J
R1286	NRSA63J-472X	MG R	4.7kΩ 1/16W J
R1287	NRSA63J-562X	MG R	5.6kΩ 1/16W J
R1288	NRSA63J-471X	MG R	470Ω 1/16W J
R1289	NRSA63J-154X	MG R	150kΩ 1/16W J
R1290	NRSA63J-103X	MG R	10kΩ 1/16W J
R1291	NRSA63J-561X	MG R	560Ω 1/16W J
R1301-03	NRSA63J-222X	MG R	2.2kΩ 1/16W J
R1304-06	NRSA63J-101X	MG R	100Ω 1/16W J
R1311	NRSA63J-0R0X	MG R	0.0Ω 1/16W J
R1312	NRSA63J-123X	MG R	12kΩ 1/16W J
R1313	NRSA63J-103X	MG R	10kΩ 1/16W J
R1314	NRSA63J-0R0X	MG R	0.0Ω 1/16W J
R1321	NRSA63J-101X	MG R	100Ω 1/16W J

△ Symbol No.	Part No.	Part Name	Description
RESISTOR			
R1322	NRSA63J-222X	MG R	2.2kΩ 1/16W J
R1323	NRSA63J-471X	MG R	470Ω 1/16W J
R1325	NRSA63J-102X	MG R	1kΩ 1/16W J
R1326	NRSA63J-820X	MG R	82Ω 1/16W J
R1331	NRSA63J-0R0X	MG R	0.0Ω 1/16W J
R1351-53	NRSA63J-151X	MG R	150Ω 1/16W J
R1354-56	NRSA63J-331X	MG R	330Ω 1/16W J
R1357-59	NRSA63J-101X	MG R	100Ω 1/16W J
R1360-62	QRZ0111-152	C R	1.5kΩ 1/2W K
R1363-65	QRL029J-123	OM R	12kΩ 2W J
R1366-68	NRSA63J-272X	MG R	2.7kΩ 1/16W J
R1371	NRSA63J-563X	MG R	56kΩ 1/16W J
R1372	NRSA63J-333X	MG R	33kΩ 1/16W J
R1373	NRSA63J-152X	MG R	1.5kΩ 1/16W J
R1421	NRSA63J-682X	MG R	6.8kΩ 1/16W J
R1423	NRSA63J-104X	MG R	100kΩ 1/16W J
R1424	NRSA63J-123X	MG R	12kΩ 1/16W J
R1425	NRSA63J-104X	MG R	100kΩ 1/16W J
R1426	NRSA63J-223X	MG R	22kΩ 1/16W J
R1427	QRT029J-1R2	MF R	1.2Ω 2W J
R1430	NRSA63J-0R0X	MG R	0.0Ω 1/16W J
R1434	QRE121J-271Y	C R	270Ω 1/2W J
R1435	QRE121J-102Y	C R	1kΩ 1/2W J
R1436	NRSA63J-0R0X	MG R	0.0Ω 1/16W J
R1439-40	NRSA63J-822X	MG R	8.2kΩ 1/16W J
R1441	NRSA63J-0R0X	MG R	0.0Ω 1/16W J
R1522	NRSA63J-391X	MG R	390Ω 1/16W J
R1523	NRSA63J-471X	MG R	470Ω 1/16W J
R1524	QRE121J-271Y	C R	270Ω 1/2W J
R1525	QRG01GJ-220	OM R	22Ω 1W J
R1526	QRL039J-152	OM R	1.5kΩ 3W J
R1530	QRE121J-681Y	C R	680Ω 1/2W J
R1541	QRT029J-1R8	MF R	1.8Ω 2W J
R1542	QRL029J-101	OM R	100Ω 2W J
R1543-44	QRT039J-1R0	MF R	1.0Ω 3W J
R1546	QRL029J-220	OM R	22Ω 2W J
R1551	QRT029J-4R7	MF R	4.7Ω 2W J
R1552	QRL029J-820	OM R	82Ω 2W J
△ R1561	QRK126J-4R7X	C R	4.7Ω 1/2W J
△ R1562	NRZ0032-7151X	MF R	7.15kΩ 1/10W±0.5%
△ R1563	NRZ0032-2941X	MF R	2.94kΩ 1/10W±0.5%
R1564	NRSA63J-153X	MG R	15kΩ 1/16W J
R1565	NRSA63J-0R0X	MG R	0.0Ω 1/16W J
R1566	NRSA63J-333X	MG R	33kΩ 1/16W J
R1567	NRSA63J-392X	MG R	3.9kΩ 1/16W J
R1568	NRSA63J-223X	MG R	22kΩ 1/16W J
R1571	QRX01GJ-3R3	MF R	3.3Ω 1W J
△ R1581	QRJ146J-2R2X	C R	2.2Ω 1/4W J
R1582	QRL029J-223	OM R	22kΩ 2W J
R1583	QRE121J-333Y	C R	33kΩ 1/2W J
R1584	QRE121J-393Y	C R	39kΩ 1/2W J
R1585	QRE121J-103Y	C R	10kΩ 1/2W J
R1586	QRE121J-472Y	C R	4.7kΩ 1/2W J
R1601-04	NRSA63J-223X	MG R	22kΩ 1/16W J
R1606	NRSA63J-0R0X	MG R	0.0Ω 1/16W J
R1608	NRSA63J-0R0X	MG R	0.0Ω 1/16W J
R1609	NRSA63J-103X	MG R	10kΩ 1/16W J
R1615-16	NRSA63J-123X	MG R	12kΩ 1/16W J
R1617-18	NRSA63J-332X	MG R	3.3kΩ 1/16W J
R1619-20	NRSA63J-391X	MG R	390Ω 1/16W J
R1621	QRE121J-4R7Y	C R	4.7Ω 1/2W J
R1622	QRE121J-4R7Y	C R	4.7Ω 1/2W J
R1623	NRSA63J-0R0X	MG R	0.0Ω 1/16W J
R1625	NRSA63J-333X	MG R	33kΩ 1/16W J
R1627	NRSA63J-101X	MG R	100Ω 1/16W J
R1631	NRSA63J-223X	MG R	22kΩ 1/16W J

AV-N29302/s

△ Symbol No.	Part No.	Part Name	Description
RESISTOR			
R1632	NRSA63J-682X	MG R	6.8kΩ 1/16W J
R1641-44	NRSA63J-102X	MG R	1kΩ 1/16W J
R1647-48	NRSA63J-102X	MG R	1kΩ 1/16W J
R1651	NRSA63J-102X	MG R	1kΩ 1/16W J
R1652	NRSA63J-153X	MG R	15kΩ 1/16W J
R1653	NRSA63J-472X	MG R	4.7kΩ 1/16W J
R1654	NRSA63J-333X	MG R	33kΩ 1/16W J
R1655	NRSA63J-332X	MG R	3.3kΩ 1/16W J
R1656	NRVA02D-152X	MF R	1.5kΩ 1/10W D
△ R1658	NRVA02D-153X	MF R	15kΩ 1/10W D
R1659	NRSA63J-563X	MG R	56kΩ 1/16W J
R1660	NRSA63J-562X	MG R	5.6kΩ 1/16W J
R1661	NRSA63J-473X	MG R	47kΩ 1/16W J
R1662-65	NRSA63J-123X	MG R	12kΩ 1/16W J
R1666-67	NRSA63J-562X	MG R	5.6kΩ 1/16W J
R1668	NRSA63J-473X	MG R	47kΩ 1/16W J
R1669-70	NRSA63J-471X	MG R	470Ω 1/16W J
R1673-74	NRSA63J-823X	MG R	82kΩ 1/16W J
R1675-76	NRSA63J-181X	MG R	180Ω 1/16W J
R1677	NRSA63J-0R0X	MG R	0.0Ω 1/16W J
R1678-81	NRSA63J-223X	MG R	22kΩ 1/16W J
R1682	NRSA63J-683X	MG R	68kΩ 1/16W J
R1683-84	NRSA63J-561X	MG R	560Ω 1/16W J
R1685-86	NRSA63J-0R0X	MG R	0.0Ω 1/16W J
R1691	NRSA63J-563X	MG R	56kΩ 1/16W J
R1701	NRSA63J-563X	MG R	56kΩ 1/16W J
R1702-04	NRSA63J-103X	MG R	10kΩ 1/16W J
R1705	NRSA63J-823X	MG R	82kΩ 1/16W J
R1706	NRSA63J-103X	MG R	10kΩ 1/16W J
R1707	NRSA63J-0R0X	MG R	0.0Ω 1/16W J
R1708	NRSA63J-103X	MG R	10kΩ 1/16W J
R1710	NRSA63J-102X	MG R	1kΩ 1/16W J
R1712	NRSA63J-0R0X	MG R	0.0Ω 1/16W J
R1713	NRSA63J-102X	MG R	1kΩ 1/16W J
R1714	NRSA63J-471X	MG R	470Ω 1/16W J
R1715	NRSA63J-105X	MG R	1MΩ 1/16W J
R1716	NRSA63J-154X	MG R	150kΩ 1/16W J
R1717	NRSA63J-563X	MG R	56kΩ 1/16W J
R1719	NRSA63J-102X	MG R	1kΩ 1/16W J
R1721-22	NRSA63J-0R0X	MG R	0.0Ω 1/16W J
R1723	NRSA63J-105X	MG R	1MΩ 1/16W J
R1724	NRSA63J-102X	MG R	1kΩ 1/16W J
R1725	NRSA63J-103X	MG R	10kΩ 1/16W J
R1726	NRSA63J-392X	MG R	3.9kΩ 1/16W J
R1727	NRSA63J-103X	MG R	10kΩ 1/16W J
R1728	NRSA63J-392X	MG R	3.9kΩ 1/16W J
R1729	NRSA63J-153X	MG R	15kΩ 1/16W J
R1730	NRSA63J-682X	MG R	6.8kΩ 1/16W J
R1732	NRSA63J-102X	MG R	1kΩ 1/16W J
R1733	NRSA63J-103X	MG R	10kΩ 1/16W J
R1734	NRSA63J-0R0X	MG R	0.0Ω 1/16W J
R1735	NRSA63J-102X	MG R	1kΩ 1/16W J
R1737	NRSA63J-472X	MG R	4.7kΩ 1/16W J
R1738	NRSA63J-152X	MG R	1.5kΩ 1/16W J
R1739	NRSA63J-472X	MG R	4.7kΩ 1/16W J
R1740	NRSA63J-152X	MG R	1.5kΩ 1/16W J
R1741	NRSA63J-472X	MG R	4.7kΩ 1/16W J
R1742	NRSA63J-152X	MG R	1.5kΩ 1/16W J
R1743	NRSA63J-103X	MG R	10kΩ 1/16W J
R1745-46	NRSA63J-101X	MG R	100Ω 1/16W J
R1747	NRSA63J-0R0X	MG R	0.0Ω 1/16W J
R1748	NRSA63J-153X	MG R	15kΩ 1/16W J
R1751	NRSA63J-103X	MG R	10kΩ 1/16W J
R1752	NRSA63J-472X	MG R	4.7kΩ 1/16W J
R1753	NRSA63J-153X	MG R	15kΩ 1/16W J
R1754	NRSA63J-103X	MG R	10kΩ 1/16W J
R1755	NRSA63J-472X	MG R	4.7kΩ 1/16W J
R1756	NRSA63J-153X	MG R	15kΩ 1/16W J
R1757-58	NRSA63J-122X	MG R	1.2kΩ 1/16W J
R1759	NRSA63J-0R0X	MG R	0.0Ω 1/16W J
R1765-66	NRSA63J-0R0X	MG R	0.0Ω 1/16W J

△ Symbol No.	Part No.	Part Name	Description
RESISTOR			
R1767	NRSA63J-474X	MG R	470kΩ 1/16W J
R1768	NRSA63J-473X	MG R	47kΩ 1/16W J
R1769	NRSA63J-102X	MG R	1kΩ 1/16W J
R1801	NRSA63J-680X	MG R	680Ω 1/16W J
R1802-03	NRSA63J-750X	MG R	75Ω 1/16W J
R1804	NRSA63J-101X	MG R	100Ω 1/16W J
R1805	NRSA63J-333X	MG R	33kΩ 1/16W J
R1806-07	NRSA63J-102X	MG R	1kΩ 1/16W J
R1808	NRSA63J-122X	MG R	1.2kΩ 1/16W J
R1809	NRSA63J-101X	MG R	100Ω 1/16W J
R1810	NRSA63J-333X	MG R	33kΩ 1/16W J
R1821	NRSA63J-562X	MG R	5.6kΩ 1/16W J
R1822	NRSA63J-223X	MG R	22kΩ 1/16W J
R1831-33	NRSA63J-750X	MG R	75Ω 1/16W J
R1851	NRSA63J-101X	MG R	100Ω 1/16W J
R1852	NRSA63J-562X	MG R	5.6kΩ 1/16W J
R1853	NRSA63J-0R0X	MG R	0.0Ω 1/16W J
R1854-57	NRSA63J-471X	MG R	470Ω 1/16W J
△ R1901	QRF074K-1R2	UNF R	1.2Ω 7W K
R1921	QRX029J-2R7	MF R	2.7Ω 2W J
△ R1923	QRJ146J-470X	C R	47Ω 1/4W J
R1924	QRN141J-334Y	C R	330kΩ 1/4W J
R1925	QRN141J-123Y	C R	12kΩ 1/4W J
△ R1926	QRF154J-271	UNF R	270 Ω 15W J
△ R1927	QRF154J-271	UNF R	270 Ω 15W J
R1954	QRE121J-102Y	C R	1kΩ 1/2W J
R1955	NRSA63J-223X	MG R	22kΩ 1/16W J
R1957	NRSA63J-222X	MG R	2.2kΩ 1/16W J
R1958	NRSA63J-103X	MG R	10kΩ 1/16W J

CAPACITOR

C1001	QETN1HM-475Z	E CAP.	4.7μF 50V M
C1002	QETN1HM-106Z	E CAP.	10μF 50V M
C1003	QETN1CM-227Z	E CAP.	220nF 16V M
C1005-06	NDC31HJ-5R0X	C CAP.	5.0pF 50V J
C1011-12	NCB31HK-103X	C CAP.	0.01μF 50V K
C1014	QETN1CM-107Z	E CAP.	100nF 16V M
C1015-16	NCB31HK-103X	C CAP.	0.01μF 50V K
C1021	QETN1HM-474Z	E CAP.	0.47μF 50V M
C1023	QETN1CM-107Z	E CAP.	100nF 16V M
C1024	NCB31HK-103X	C CAP.	0.01μF 50V K
C1025	NCB31HK-102X	C CAP.	1000pF 50V K
C1026	QETN1HM-474Z	E CAP.	0.47μF 50V M
C1027	NCB31HK-104X	CHIP CAP.	0.1μF 50V K
C1028	QETN1HM-106Z	E CAP.	10μF 50V M
C1030	NCB31HK-103X	C CAP.	0.01μF 50V K
C1034	NCB31HK-103X	C CAP.	0.01μF 50V K
C1037	NCB31HK-103X	C CAP.	0.01μF 50V K
C1038	QETN1CM-107Z	E CAP.	100nF 16V M
C1041-42	QETN1HM-106Z	E CAP.	10μF 50V M
C1043-44	NDC31HJ-470X	C CAP.	47pF 50V J
C1045	QETN1HM-106Z	E CAP.	10μF 50V M
C1046	NCB31HK-103X	C CAP.	0.01μF 50V K
C1047	NDC31HJ-330X	C CAP.	33pF 50V J
C1048	NCB31HK-103X	C CAP.	0.01μF 50V K
C1111	QETNOJM-108Z	E CAP.	1000μF 6.3V M
C1112	NCB31HK-103X	C CAP.	0.01μF 50V K
C1113	QETN1HM-474Z	E CAP.	0.47μF 50V M
C1114	QETN1HM-105Z	E CAP.	1μF 50V M
C1115	QFV71HJ-104Z	MF CAP.	0.1μF 50V J
C1116	NCB31HK-104X	CHIP CAP.	0.1μF 50V K
C1201	NDC31HJ-100X	C CAP.	10pF 50V J
C1202	QETN1HM-224Z	E CAP.	0.22μF 50V M
C1203	NCB31HK-222X	CHIP CAP.	2200pF 50V K
C1221	QENC1EM-106Z	BP E CAP.	10μF 25V M
C1222	NDC31HJ-470X	C CAP.	47pF 50V J
C1223	NDC31HJ-101X	C CAP.	1000pF 50V J
C1224	NDC31HJ-181X	C CAP.	180pF 50V J
C1225	QETN1HM-474Z	E CAP.	0.47μF 50V M
C1228	NCB31HK-103X	C CAP.	0.01μF 50V K
C1233	NCB31HK-103X	C CAP.	0.01μF 50V K

AV-N29302/s

Symbol No.	Part No.	Part Name	Description
CAPACITOR			
C1234	QETN1HM-476Z	E CAP.	47µF 50V M
C1235-36	NCB31HK-103X	C CAP.	0.01µF 50V K
C1237	QETN1HM-106Z	E CAP.	10µF 50V M
C1238-39	NCB31HK-103X	C CAP.	0.01µF 50V K
C1240	NCB31HK-472X	C CAP.	4700pF 50V K
C1242-44	NCB31HK-103X	C CAP.	0.01µF 50V K
C1245	NDC31HJ-181X	C CAP.	180pF 50V J
C1246	QETN1HM-106Z	E CAP.	10µF 50V M
C1247	NCB31HK-103X	C CAP.	0.01µF 50V K
C1249-52	NCB31HK-103X	C CAP.	0.01µF 50V K
C1253	QETN1HM-106Z	E CAP.	10µF 50V M
C1254	NCB31HK-103X	C CAP.	0.01µF 50V K
C1261	QETN1HM-476Z	E CAP.	47µF 50V M
C1262	NCB31HK-103X	C CAP.	0.01µF 50V K
C1265	NDC31HJ-390X	C CAP.	39pF 50V J
C1271	QETN1HM-106Z	E CAP.	10µF 50V M
C1281	QETN1HM-474Z	E CAP.	0.47µF 50V M
C1282	QETN1CM-227Z	E CAP.	220µF 16V M
C1283	NCB31HK-103X	C CAP.	0.01µF 50V K
C1284	QETN1HM-225Z	E CAP.	2.2µF 50V M
C1285	NCB31HK-272X	CHIP CAP.	2700pF 50V K
C1286	QETN1HM-106Z	E CAP.	10µF 50V M
C1287	QETN1CM-107Z	E CAP.	100µF 16V M
C1288	NCB31HK-103X	C CAP.	0.01µF 50V K
C1311	QETN1HM-106Z	E CAP.	10µF 50V M
C1312	QFV71HJ-154Z	MF CAP.	0.15µF 50V J
C1323	NDC31HJ-150X	C CAP.	15pF 50V J
C1333	NCB31HK-104X	CHIP CAP.	0.1µF 50V K
C1354-55	NDC31HJ-271X	CER. CAPACITOR	270pF 50V J
C1356	NDC31HJ-331X	C CAP.	330pF 50V J
C1357	QETN1CM-107Z	E CAP.	100µF 16V M
C1371	NCB31HK-103X	C CAP.	0.01µF 50V K
△ C1382	QCZ0121-102	C CAP.	1000pF 3kV Z
C1391	QETN1CM-107Z	E CAP.	100µF 16V M
C1392	NCB31HK-103X	C CAP.	0.01µF 50V K
C1393-95	NCB31HK-104X	CHIP CAP.	0.1µF 50V K
C1421	NCB31HK-102X	C CAP.	1000pF 50V K
C1422	NCB31HK-472X	C CAP.	4700pF 50V K
C1424	QETN1VM-107Z	E CAP.	100µF 35V M
C1425	QETN1VM-477Z	E CAP.	470µF 35V M
C1427	QETN1HM-225Z	E CAP.	2.2µF 50V M
C1428	QETN1EM-228	E CAP.	2200µF 25V M
C1431	QFLC1HJ-563Z	M CAP.	0.056µF 50V J
C1435	NCB21HK-223X	C CAP.	0.022µF 50V K
C1437	QETN1HM-106Z	E CAP.	10µF 50V M
C1521	NCB31HK-332X	CHIP CAP.	3300pF 50V K
C1522	NCB31HK-822X	CHIP CAP.	8200pF 50V K
C1523	QEM61HK-105Z	E CAP.	1µF 50V K
△ C1524	QFZ0198-133	MPP CAP.	0.013µF1.5kVH±3%
C1525	QEZ0203-107	E CAP.	100µF 160V M
△ C1526	QFZ0197-434	MPP CAP.	0.43µF 250V J
C1527	QCB32HK-561Z	C CAP.	560pF 500V K
△ C1528	QCZ0325-391	C CAP.	390pF 2kV K
C1543	QETN1VM-477Z	E CAP.	470µF 35V M
C1545	QETN1CM-227Z	E CAP.	220µF 16V M
C1546	QETN1CM-477Z	E CAP.	470µF 16V M
C1548	QETN1CM-227Z	E CAP.	220µF 16V M
C1551	QETN1CM-227Z	E CAP.	220µF 16V M
C1552	QETN1CM-107Z	E CAP.	100µF 16V M
C1561	QETN1HM-106Z	E CAP.	10µF 50V M
C1562	QETN1HM-475Z	E CAP.	4.7µF 50V M
C1563	NCB31HK-103X	C CAP.	0.01µF 50V K
C1581	QETN2EM-106Z	E CAP.	10µF 250V M
C1582	NCB31HK-473X	CHIP CAP.	0.047µF 50V K
C1584	QFLC1HJ-473Z	M CAP.	0.047µF 50V J
C1601-02	QENC1HM-105Z	BP E CAP.	1µF 50V M
C1603-06	NCB31HK-332X	CHIP CAP.	3300pF 50V K
C1607-08	QETN1HM-106Z	E CAP.	10µF 50V M
C1609	QETN1EM-476Z	E CAP.	47µF 25V M
C1610	NCB31HK-104X	CHIP CAP.	0.1µF 50V K
C1611-12	QETN1HM-105Z	E CAP.	1µF 50V M
C1614	QETN1EM-227Z	E CAP.	220µF 25V M

Symbol No.	Part No.	Part Name	Description
CAPACITOR			
C1615	NRSA63J-0R0X	MG R	0.0Ω 1/16W J
C1616	QENC1HM-474Z	BP E CAP.	0.47µF 50V M
C1617	QETN1EM-476Z	E CAP.	47µF 25V M
C1618	QETN1CM-107Z	E CAP.	100µF 16V M
C1619	QETN1CM-477Z	E CAP.	470µF 16V M
C1620	NCB31HK-104X	CHIP CAP.	0.1µF 50V K
C1621	NRSA63J-0R0X	MG R	0.0Ω 1/16W J
C1622	QENC1HM-474Z	BP E CAP.	0.47µF 50V M
C1623	QETN1EM-476Z	E CAP.	47µF 25V M
C1624	QETN1CM-107Z	E CAP.	100µF 16V M
C1625	QETN1CM-477Z	E CAP.	470µF 16V M
C1626	NCB31HK-104X	CHIP CAP.	0.1µF 50V K
C1627	QETN1CM-107Z	E CAP.	100µF 16V M
C1641-42	QETN1HM-106Z	E CAP.	10µF 50V M
C1645-48	QETN1HM-106Z	E CAP.	10µF 50V M
C1651	NCB31HK-103X	C CAP.	0.01µF 50V K
C1652	QETN1CM-107Z	E CAP.	100µF 16V M
C1653	QETN1EM-476Z	E CAP.	47µF 25V M
C1654	NCB31HK-104X	CHIP CAP.	0.1µF 50V K
C1655	QENC1HM-475Z	BP E CAP.	4.7µF 50V M
C1656	QENC1HM-105Z	BP E CAP.	1µF 50V M
C1657	QETN1HM-225Z	E CAP.	2.2µF 50V M
C1658	NCB31HK-473X	CHIP CAP.	0.047µF 50V K
C1659	QETN1HM-474Z	E CAP.	0.47µF 50V M
C1660-61	NCB31HK-104X	CHIP CAP.	0.1µF 50V K
C1662	QETN1HM-335Z	E CAP.	3.3µF 50V M
C1663	QETN1HM-105Z	E CAP.	1µF 50V M
C1664	QETN1HM-106Z	E CAP.	10µF 50V M
C1665-66	QETN1HM-105Z	E CAP.	1µF 50V M
C1667	QETN1HM-336Z	E CAP.	33µF 50V M
C1668	QETN1HM-105Z	E CAP.	1µF 50V M
C1669-70	QENC1HM-105Z	BP E CAP.	1µF 50V M
C1671	QETN1HM-225Z	E CAP.	2.2µF 50V M
C1672	NCB31HK-222X	CHIP CAP.	2200pF 50V K
C1673	NCB31HK-104X	CHIP CAP.	0.1µF 50V K
C1674	QETN1HM-225Z	E CAP.	2.2µF 50V M
C1675	NCB31HK-222X	CHIP CAP.	2200pF 50V K
C1676	NCB31HK-104X	CHIP CAP.	0.1µF 50V K
C1679	QETN1HM-105Z	E CAP.	1µF 50V M
C1680	QETN1EM-476Z	E CAP.	47µF 25V M
C1682-83	QETN1HM-474Z	E CAP.	0.47µF 50V M
C1701	NDC31HJ-560X	C CAP.	560pF 50V J
C1703	NCB31HK-102X	C CAP.	1000pF 50V K
C1704	NCB31HK-103X	C CAP.	0.01µF 50V K
C1705	NDC31HJ-151X	C CAP.	150pF 50V J
C1706	NCB31HK-104X	CHIP CAP.	0.1µF 50V K
C1707	QETN1HM-105Z	E CAP.	1µF 50V M
C1708	NCS21HJ-221X	C CAP.	220pF 50V J
C1709	NCS21HJ-102X	C CAP.	1000pF 50V J
C1710	NDC31HJ-681X	C CAP.	680pF 50V J
C1711	QETN1HM-474Z	E CAP.	0.47µF 50V M
C1712	NCB31HK-102X	C CAP.	1000pF 50V K
C1714	NCB31HK-103X	C CAP.	0.01µF 50V K
C1716	QETN1EM-476Z	E CAP.	47µF 25V M
C1717	NCB31HK-104X	CHIP CAP.	0.1µF 50V K
C1718	NCB31HK-103X	C CAP.	0.01µF 50V K
C1719-20	QETN1CM-107Z	E CAP.	100µF 16V M
C1721	NCB31HK-104X	CHIP CAP.	0.1µF 50V K
C1722-23	NDC31HJ-5R0X	C CAP.	5.0pF 50V J
C1724	NCB31HK-103X	C CAP.	0.01µF 50V K
C1725	QETN1AM-227Z	E CAP.	220µF 10V M
C1751	QETN1EM-476Z	E CAP.	47µF 25V M
C1801-02	QETN1HM-106Z	E CAP.	10µF 50V M
C1803	QETN1HM-105Z	E CAP.	1µF 50V M
C1804-05	QETN1HM-106Z	E CAP.	10µF 50V M
C1808	QETN1EM-476Z	E CAP.	47µF 25V M
C1809-10	QETN1HM-106Z	E CAP.	10µF 50V M
C1831-33	NCB31HK-104X	CHIP CAP.	0.1µF 50V K
△ C1911	QCZ9054-102	C CAP.	1000pFAC250V Z
△ C1912	QCZ9054-102	C CAP.	1000pFAC250V Z
△ C1913	QCZ9054-102	C CAP.	1000pFAC250V Z
△ C1914	QEZ0429-477	E CAP.	470µF 200V M

AV-N29302/s

Symbol No.	Part No.	Part Name	Description
CAPACITOR			
C1921	QEHR2CM-335Z	E CAP.	3.3μF 160V M
C1922	QEHQ2CM-336	E CAP.	33μF 160V M
C1953	QETN1EM-107Z	E CAP.	100μF 25V M
C1954	NCB31HK-473X	CHIP CAP.	0.047μF 50V K
C1956	QETN1HM-106Z	E CAP.	10μF 50V M
C1959	QETN1HM-336Z	E CAP.	33μF 50V M
△ C1981	QCZ9073-33Z	C CAP.	3300pFAC250V M

Symbol No.	Part No.	Part Name	Description
TRANSFORMER			
△ T1521	CE41106-00CJ1	DRIVE TRANSF.	
△ T1522	QQH0028-001	H.V. TRANSF.	

Symbol No.	Part No.	Part Name	Description
COIL			
L1012	QQLZ014-R39	PEAKING COIL	
L1022	QQL244K-220Z	PEAKING COIL	
L1042	QQL244K-220Z	PEAKING COIL	
L1221	QQL244K-4R7Z	COIL	4.7μH K
L1235	QQL244K-4R7Z	COIL	4.7μH K
L1262	QQL244K-150Z	COIL	15μH K
L1321	QQL244K-150Z	COIL	15μH K
L1381	QQL03BJ-390Z	COIL	39μH J

Symbol No.	Part No.	Part Name	Description
DIODE			
D1001	MTZJ33A-T2	ZENER DIODE	
D1021	MTZJ9-1C-T2	ZENER DIODE	
D1301	15S133-T2	SI. DIODE	
D1302	15S133-T2	SI. DIODE	
D1303	15S133-T2	SI. DIODE	
D1304	15S133-T2	SI. DIODE	
D1305	15S133-T2	SI. DIODE	
D1306	15S133-T2	SI. DIODE	
D1311	MTZJ9-1C-T2	ZENER DIODE	
D1312	15S133-T2	SI. DIODE	
D1421	1N4003-T2	SI. DIODE	
D1422	MTZJ75-T2	ZENER DIODE	
D1423	15S133-T2	SI. DIODE	
△ D1541	RGP10J-5025-T3	SI. DIODE	
△ D1542	15R35-400A-T2	SI. DIODE	
△ D1543	RGP10J-5025-T3	SI. DIODE	
△ D1544	RGP10J-5025-T3	SI. DIODE	
D1561	15S81-T2	SI. DIODE	
△ D1562	MA4068N/Z1/-T2	ZENER DIODE	
D1563	15S133-T2	SI. DIODE	
D1581	RH15-T3	SI. DIODE	
△ D1582	RGP10J-5025-T3	SI. DIODE	
D1583	MTZJ9-1C-T2	ZENER DIODE	
D1602	15S133-T2	SI. DIODE	
D1631-34	MTZJ9-1C-T2	ZENER DIODE	
D1636-37	MTZJ9-1C-T2	ZENER DIODE	
D1659-60	MTZJ9-1C-T2	ZENER DIODE	
D1704	15S133-T2	SI. DIODE	
D1717-18	MTZJ9-1C-T2	ZENER DIODE	
D1751	SLR-342VR3F	L. E. D.	
D1801-02	MTZJ9-1C-T2	ZENER DIODE	
D1804-05	MTZJ9-1C-T2	ZENER DIODE	
D1807	MTZJ9-1C-T2	ZENER DIODE	
D1831-33	MTZJ5.6A-T2	ZENER DIODE	
△ D1911	D3SB60	BRIDGE DIODE	
D1953	15R35-400A-T2	SI. DIODE	
D1957	15S133-T2	SI. DIODE	

Symbol No.	Part No.	Part Name	Description
TRANSISTOR			
Q1011	2SC5083/L-P/-T	SI. TRANSISTOR	
Q1023	2SA1037AK/QR/-X	SI. TRANSISTOR	
Q1025	2SA1037AK/QR/-X	SI. TRANSISTOR	
Q1041	2SA1037AK/QR/-X	SI. TRANSISTOR	
Q1221-22	2SC2412K/QR/-X	SI. TRANSISTOR	
Q1261-62	2SC2412K/QR/-X	SI. TRANSISTOR	
Q1272	2SC2412K/QR/-X	SI. TRANSISTOR	
Q1281	DTC124EKA-X	DIGI. TRANSISTOR	

Symbol No.	Part No.	Part Name	Description
TRANSISTOR			
Q1311	2SC2412K/QR/-X	SI. TRANSISTOR	
Q1321-22	2SC2412K/QR/-X	SI. TRANSISTOR	
Q1351-53	2SC4544-LB	SI. TRANSISTOR	
Q1371	2SC2412K/QR/-X	SI. TRANSISTOR	
Q1521	2SC2655/Y/-T	SI. TRANSISTOR	
Q1522	2SD2499-LB	SI. TRANSISTOR	H. OUT
△ Q1561	2SC2785/JH/-T	SI. TRANSISTOR	
Q1562	2SA933AS/QR/-T	SI. TRANSISTOR	

Symbol No.	Part No.	Part Name	Description
Q1602	DTC323TK-X	DIGI. TRANSISTOR	
Q1631-32	DTC124EKA-X	DIGI. TRANSISTOR	
Q1651-54	2SC2412K/QR/-X	SI. TRANSISTOR	
Q1655	2SA1037AK/QR/-X	SI. TRANSISTOR	
Q1701-03	2SC2412K/QR/-X	SI. TRANSISTOR	
Q1704	DTC323TK-X	DIGI. TRANSISTOR	
Q1801	2SC2412K/QR/-X	SI. TRANSISTOR	
Q1802	2SA1037AK/QR/-X	SI. TRANSISTOR	
Q1821-22	DTC124EKA-X	DIGI. TRANSISTOR	
Q1851	2SC2412K/QR/-X	SI. TRANSISTOR	
Q1952	2SA966/OY/-T	SI. TRANSISTOR	
Q1953	2SC2412K/QR/-X	SI. TRANSISTOR	

Symbol No.	Part No.	Part Name	Description
IC			
IC1101	TB1253AN	I. C. (M)	
IC1201	TC90A53N	I. C. (DIGI-MOS)	
△ IC1421	LA7840	I. C. (MONO-ANA)	
IC1541	AN7809F	I. C. (MONO-ANA)	
IC1551	AN7805F	I. C. (MONO-ANA)	
IC1601	NJM2150AD	I. C. (MONO-ANA)	
△ IC1602	LA4446	I. C. (MONO-ANA)	
IC1631	TC4066BP/N/	I. C. (DIGI-MOS)	
IC1651	UPC1851BCU	I. C. (MONO-ANA)	
IC1652	BA15218N	I. C. (MONO-ANA)	
IC1701	M37272MA-3145P	I. C. (MICRO-COMP)	
IC1702	AT24C02-27D302	I. C.	(SERVICE)
IC1703	L78LR05E-MA	I. C. (MONO-ANA)	
IC1751	GP1U281Q	IFR DETECT UNIT	
IC1801	BA7649A	I. C. (MONO-ANA)	
IC1821	TC4066BP/N/	I. C. (DIGI-MOS)	
△ IC1921	STR30134	I. C. (H)	
IC1951	AN7809F	I. C. (MONO-ANA)	

Symbol No.	Part No.	Part Name	Description
OTHERS			
CF1001	LC30190-001B-A	L. E. D. HOLDER	
CF1021	QAX0349-001	CERAMIC FILTER	
CF1041	QAX0639-001Z	CERAMIC FILTER	
CF1701	QAX0642-001Z	CERAMIC FILTER	
CF1702	CST8.00MTW	CER. RESONATOR	
F1902	QAX0428-001	CER. RESONATOR	
△ F1902	QMF0007-1R25J1	FUSE	1.25A
△ FC1902	CEMG002-001Z	FUSE CLIP	
△ FR1720	QRZ9017-820	F. R	82 Ω 1/4W J
J1001	QNZ0454-001	PIN JACK	
J1002	QNN0348-001	PIN JACK	
J1003	QNN0349-002	PIN JACK	
J1004	QNN0348-001	PIN JACK	
J1005	QNN0281-003	PIN JACK	
J1006	QNN0281-002	PIN JACK	
J1007	QNN0282-001	PIN JACK	
K1421	QQR0582-001Z	BEADS CORE	
S1421	QSL4A13-C02	LEVER SWITCH	V. CENTER SW
S1751	QSW0619-003Z	PUSH SWITCH	MENU
S1752	QSW0619-003Z	PUSH SWITCH	CH-
S1753	QSW0619-003Z	PUSH SWITCH	CH+
S1754	QSW0619-003Z	PUSH SWITCH	VOL-
S1755	QSW0619-003Z	PUSH SWITCH	VOL+
S1756	QSW0619-003Z	PUSH SWITCH	POWER
SF1011	QAX0324-002	SAW FILTER	
△ SK1351	QNZ0464-001	C. R. T. SOCKET	
△ TU1001	QAU0229-001	TUNER	
W1121	QRE121J-101Y	C. R	100Ω 1/2W J
X1201	CE40668-001Z	CRYSTAL	

AV-N29302/s**POWER P.W. BOARD ASS'Y (SFD-9001A-M2)**

△ Symbol No.	Part No.	Part Name	Description
--------------	----------	-----------	-------------

RESISTOR

R9952	QRE121J-222Y	C R	2.2kΩ 1/2W J
R9953	QRE121J-122Y	C R	1.2kΩ 1/2W J
R9956	QRE121J-101Y	C R	100Ω 1/2W J
△ R9981	QRZ9041-275	C R	2.7MΩ 1/2W K

CAPACITOR

△ C9901	QFZ9040-104	MF CAP.	0.1μFAC275V M
△ C9902	QFZ9040-473	MF CAP.	0.047μFAC275V M
C9951	QETN1EM-227Z	E CAP.	220μF 25V M
C9958	QETN1EM-107Z	E CAP.	100μF 25V M

TRANSFORMER

△ T9901	QQT0198-001	POWER TRANSF.	
---------	-------------	---------------	--

DIODE

D9941-44	1SR35-400A-T2	SI.DIODE	
D9951	MTZJ12C-T2	ZENER DIODE	
D9954	QRE141J-QROY	C R	0.0 Ω 1/4W J
D9958	1SS133-T2	SI.DIODE	

TRANSISTOR

Q9951	2SC1740S/QR/-T	SI.TRANSISTOR	
-------	----------------	---------------	--

OTHERS

△ F9901	QMF0007-6R3J1	FUSE	6.3A
△ FC9901	CEMG002-001Z	FUSE CLIP	
△ LF9901	QQR0864-002	LINE FILTER	
△ TH9901	CEKPO07-002	P.THERMISTOR	
△ RY9901	QSK0083-001	RELAY	
△ VA9901	ERZV10V621CS	VARIATOR	

AV-N29302/R

PRINTED WIRING BOARD PARTS LIST

MAIN P.W. BOARD ASS'Y (SFD-1006A-M2)

△ Symbol No.	Part No.	Part Name	Description	△ Symbol No.	Part No.	Part Name	Description
RESISTOR				RESISTOR			
R1001	NRSA63J-473X	MG R	47kΩ 1/16W J	R1322	NRSA63J-222X	MG R	2.2kΩ 1/16W J
R1002	NRSA63J-0R0X	MG R	0.0Ω 1/16W J	R1323	NRSA63J-471X	MG R	470Ω 1/16W J
R1003-04	NRSA63J-221X	MG R	220Ω 1/16W J	R1325	NRSA63J-102X	MG R	1kΩ 1/16W J
R1011	NRSA63J-820X	MG R	82Ω 1/16W J	R1326	NRSA63J-820X	MG R	82Ω 1/16W J
R1012	NRSA63J-182X	MG R	1.8kΩ 1/16W J	R1331	NRSA63J-0R0X	MG R	0.0Ω 1/16W J
R1013	NRSA63J-562X	MG R	5.6kΩ 1/16W J	R1351-53	NRSA63J-151X	MG R	150Ω 1/16W J
R1014	QRE121J-101Y	C R	100Ω 1/2W J	R1354-56	NRSA63J-331X	MG R	330Ω 1/16W J
R1015	NRSA63J-180X	MG R	18Ω 1/16W J	R1357-59	NRSA63J-101X	MG R	100Ω 1/16W J
R1016	NRSA63J-270X	MG R	27Ω 1/16W J	R1360-62	QRZ0111-152	C R	1.5kΩ 1/2W K
R1018-19	NRSA63J-104X	MG R	100kΩ 1/16W J	R1363-65	QRL029J-123	OM R	12kΩ 2W J
R1020	NRSA63J-332X	MG R	3.3kΩ 1/16W J	R1366-68	NRSA63J-272X	MG R	2.7kΩ 1/16W J
R1021	NRSA63J-123X	MG R	12kΩ 1/16W J	R1371	NRSA63J-563X	MG R	56kΩ 1/16W J
R1022	NRSA63J-151X	MG R	150Ω 1/16W J	R1372	NRSA63J-333X	MG R	33kΩ 1/16W J
R1024	NRSA63J-102X	MG R	1kΩ 1/16W J	R1373	NRSA63J-152X	MG R	1.5kΩ 1/16W J
R1025	NRSA63J-271X	MG R	270Ω 1/16W J	R1421	NRSA63J-682X	MG R	6.8kΩ 1/16W J
R1026	NRSA63J-331X	MG R	330Ω 1/16W J	R1423	NRSA63J-393X	MG R	39kΩ 1/16W J
R1028	NRSA63J-561X	MG R	560Ω 1/16W J	R1424	NRSA63J-123X	MG R	12kΩ 1/16W J
R1035	NRSA63J-152X	MG R	1.5kΩ 1/16W J	R1426	NRSA63J-223X	MG R	22kΩ 1/16W J
R1041	NRSA63J-272X	MG R	2.7kΩ 1/16W J	R1427	QRT029J-1R2	MF R	1.2Ω 2W J
R1042-43	NRSA63J-102X	MG R	1kΩ 1/16W J	R1430	NRSA63J-0R0X	MG R	0.0Ω 1/16W J
R1047	NRSA63J-153X	MG R	15kΩ 1/16W J	R1434	QRE121J-271Y	C R	270Ω 1/2W J
R1048	NRSA63J-154X	MG R	150kΩ 1/16W J	R1435	QRE121J-102Y	C R	1kΩ 1/2W J
R1101-02	NRSA63J-101X	MG R	100Ω 1/16W J	R1436	NRSA63J-0R0X	MG R	0.0Ω 1/16W J
R1111	NRSA63J-105X	MG R	1MΩ 1/16W J	R1439-40	NRSA63J-822X	MG R	8.2kΩ 1/16W J
R1201	NRSA63J-333X	MG R	33kΩ 1/16W J	R1441	NRSA63J-0R0X	MG R	0.0Ω 1/16W J
R1214	NRSA63J-750X	MG R	75Ω 1/16W J	R1522	NRSA63J-391X	MG R	390Ω 1/16W J
R1215	NRSA63J-0R0X	MG R	0.0Ω 1/16W J	R1523	NRSA63J-471X	MG R	470Ω 1/16W J
R1221	NRSA63J-102X	MG R	1kΩ 1/16W J	R1524	QRE121J-271Y	C R	270Ω 1/2W J
R1222	NRSA63J-222X	MG R	2.2kΩ 1/16W J	R1525	QRG01GJ-220	OM R	22Ω 1W J
R1223	NRSA63J-153X	MG R	15kΩ 1/16W J	R1526	QRL039J-152	OM R	1.5kΩ 3W J
R1224	NRSA63J-333X	MG R	33kΩ 1/16W J	R1530	QRE121J-681Y	C R	680Ω 1/2W J
R1226	NRSA63J-102X	MG R	1kΩ 1/16W J	R1541	QRT029J-1R8	MF R	1.8Ω 2W J
R1227	NRSA63J-181X	MG R	180Ω 1/16W J	R1542	QRL029J-101	OM R	100Ω 2W J
R1228	NRSA63J-152X	MG R	1.5kΩ 1/16W J	R1543-44	QRT039J-1R0	MF R	1.0Ω 3W J
R1229	NRSA63J-182X	MG R	1.8kΩ 1/16W J	R1546	QRL029J-220	OM R	22Ω 2W J
R1232	NRSA63J-0R0X	MG R	0.0Ω 1/16W J	R1551	QRT029J-4R7	MF R	4.7Ω 2W J
R1233	NRSA63J-474X	MG R	470kΩ 1/16W J	R1552	QRL029J-820	OM R	82Ω 2W J
R1234-35	NRSA63J-103X	MG R	10kΩ 1/16W J	△ R1561	QRK126J-4R7X	C R	4.7Ω 1/2W J
R1236	NRSA63J-821X	MG R	820Ω 1/16W J	△ R1562	NRZ0032-7151X	MF R	7.15kΩ 1/10W±0.5%
R1239	NRSA63J-101X	MG R	100Ω 1/16W J	△ R1563	NRZ0032-2941X	MF R	2.94kΩ 1/10W±0.5%
R1241	NRSA63J-101X	MG R	100Ω 1/16W J	R1564	NRSA63J-153X	MG R	15kΩ 1/16W J
R1242	NRSA63J-123X	MG R	12kΩ 1/16W J	R1565	NRSA63J-0R0X	MG R	0.0Ω 1/16W J
R1243	NRSA63J-822X	MG R	8.2kΩ 1/16W J	R1566	NRSA63J-333X	MG R	33kΩ 1/16W J
R1261	NRSA63J-101X	MG R	100Ω 1/16W J	R1567	NRSA63J-392X	MG R	3.9kΩ 1/16W J
R1262	NRSA63J-222X	MG R	2.2kΩ 1/16W J	R1568	NRSA63J-223X	MG R	22kΩ 1/16W J
R1263	NRSA63J-471X	MG R	470Ω 1/16W J	R1571	QRX01GJ-1R5	MF R	1.5Ω 1W J
R1265-66	NRSA63J-681X	MG R	680Ω 1/16W J	△ R1581	QRJ146J-2R2X	C R	2.2Ω 1/4W J
R1271-72	NRSA63J-682X	MG R	6.8kΩ 1/16W J	R1582	QRL029J-223	OM R	22kΩ 2W J
R1276	NRSA63J-102X	MG R	1kΩ 1/16W J	R1583	QRE121J-333Y	C R	33kΩ 1/2W J
R1281	NRSA63J-182X	MG R	1.8kΩ 1/16W J	R1584	QRE121J-393Y	C R	39kΩ 1/2W J
R1282	NRSA63J-682X	MG R	6.8kΩ 1/16W J	R1585	QRE121J-103Y	C R	10kΩ 1/2W J
R1283	NRSA63J-681X	MG R	680Ω 1/16W J	R1586	QRE121J-472Y	C R	4.7kΩ 1/2W J
R1285	NRSA63J-103X	MG R	10kΩ 1/16W J	R1601-04	NRSA63J-223X	MG R	22kΩ 1/16W J
R1286	NRSA63J-472X	MG R	4.7kΩ 1/16W J	R1606	NRSA63J-0R0X	MG R	0.0Ω 1/16W J
R1287	NRSA63J-562X	MG R	5.6kΩ 1/16W J	R1608	NRSA63J-0R0X	MG R	0.0Ω 1/16W J
R1288	NRSA63J-471X	MG R	470Ω 1/16W J	R1609	NRSA63J-103X	MG R	10kΩ 1/16W J
R1289	NRSA63J-154X	MG R	150kΩ 1/16W J	R1615-16	NRSA63J-123X	MG R	12kΩ 1/16W J
R1290	NRSA63J-103X	MG R	10kΩ 1/16W J	R1617-18	NRSA63J-332X	MG R	3.3kΩ 1/16W J
R1291	NRSA63J-561X	MG R	560Ω 1/16W J	R1619-20	NRSA63J-391X	MG R	390Ω 1/16W J
R1301-03	NRSA63J-222X	MG R	2.2kΩ 1/16W J	R1621	QRE121J-4R7Y	C R	4.7Ω 1/2W J
R1304-06	NRSA63J-101X	MG R	100Ω 1/16W J	R1622	QRE121J-4R7Y	C R	4.7Ω 1/2W J
R1311	NRSA63J-0R0X	MG R	0.0Ω 1/16W J	R1623	NRSA63J-0R0X	MG R	0.0Ω 1/16W J
R1312	NRSA63J-123X	MG R	12kΩ 1/16W J	R1625	NRSA63J-333X	MG R	33kΩ 1/16W J
R1313	NRSA63J-103X	MG R	10kΩ 1/16W J	R1627	NRSA63J-101X	MG R	100Ω 1/16W J
R1314	NRSA63J-0R0X	MG R	0.0Ω 1/16W J	R1631	NRSA63J-223X	MG R	22kΩ 1/16W J
R1321	NRSA63J-101X	MG R	100Ω 1/16W J	R1632	NRSA63J-682X	MG R	6.8kΩ 1/16W J

AV-N29302/R

△ Symbol No.	Part No.	Part Name	Description
RESISTOR			
R1641-44	NRSA63J-102X	MG R	1kΩ 1/16W J
R1647-48	NRSA63J-102X	MG R	1kΩ 1/16W J
R1651	NRSA63J-102X	MG R	1kΩ 1/16W J
R1652	NRSA63J-153X	MG R	15kΩ 1/16W J
R1653	NRSA63J-472X	MG R	4.7kΩ 1/16W J
R1654	NRSA63J-333X	MG R	33kΩ 1/16W J
R1655	NRSA63J-332X	MG R	3.3kΩ 1/16W J
R1656	NRVA02D-152X	MF R	1.5kΩ 1/10W D
△ R1658	NRVA02D-153X	MF R	15kΩ 1/10W D
R1659	NRSA63J-563X	MG R	56kΩ 1/16W J
R1660	NRSA63J-562X	MG R	5.6kΩ 1/16W J
R1661	NRSA63J-473X	MG R	47kΩ 1/16W J
R1662-65	NRSA63J-123X	MG R	12kΩ 1/16W J
R1666-67	NRSA63J-562X	MG R	5.6kΩ 1/16W J
R1668	NRSA63J-473X	MG R	47kΩ 1/16W J
R1669-70	NRSA63J-471X	MG R	470Ω 1/16W J
R1673-74	NRSA63J-823X	MG R	82kΩ 1/16W J
R1675-76	NRSA63J-181X	MG R	180Ω 1/16W J
R1677	NRSA63J-0R0X	MG R	0.0Ω 1/16W J
R1678-81	NRSA63J-223X	MG R	22kΩ 1/16W J
R1682	NRSA63J-683X	MG R	68kΩ 1/16W J
R1683-84	NRSA63J-561X	MG R	560Ω 1/16W J
R1685-86	NRSA63J-0R0X	MG R	0.0Ω 1/16W J
R1691	NRSA63J-563X	MG R	56kΩ 1/16W J
R1701	NRSA63J-563X	MG R	56kΩ 1/16W J
R1702-04	NRSA63J-103X	MG R	10kΩ 1/16W J
R1705	NRSA63J-823X	MG R	82kΩ 1/16W J
R1706	NRSA63J-103X	MG R	10kΩ 1/16W J
R1707	NRSA63J-0R0X	MG R	0.0Ω 1/16W J
R1708	NRSA63J-103X	MG R	10kΩ 1/16W J
R1710	NRSA63J-102X	MG R	1kΩ 1/16W J
R1712	NRSA63J-0R0X	MG R	0.0Ω 1/16W J
R1713	NRSA63J-102X	MG R	1kΩ 1/16W J
R1714	NRSA63J-471X	MG R	470Ω 1/16W J
R1715	NRSA63J-105X	MG R	1MΩ 1/16W J
R1716	NRSA63J-154X	MG R	150kΩ 1/16W J
R1717	NRSA63J-563X	MG R	56kΩ 1/16W J
R1719	NRSA63J-102X	MG R	1kΩ 1/16W J
R1721-22	NRSA63J-0R0X	MG R	0.0Ω 1/16W J
R1723	NRSA63J-105X	MG R	1MΩ 1/16W J
R1724	NRSA63J-102X	MG R	1kΩ 1/16W J
R1725	NRSA63J-103X	MG R	10kΩ 1/16W J
R1726	NRSA63J-392X	MG R	3.9kΩ 1/16W J
R1727	NRSA63J-103X	MG R	10kΩ 1/16W J
R1728	NRSA63J-392X	MG R	3.9kΩ 1/16W J
R1729	NRSA63J-153X	MG R	15kΩ 1/16W J
R1730	NRSA63J-682X	MG R	6.8kΩ 1/16W J
R1732	NRSA63J-102X	MG R	1kΩ 1/16W J
R1733	NRSA63J-103X	MG R	10kΩ 1/16W J
R1734	NRSA63J-0R0X	MG R	0.0Ω 1/16W J
R1735	NRSA63J-102X	MG R	1kΩ 1/16W J
R1737	NRSA63J-472X	MG R	4.7kΩ 1/16W J
R1738	NRSA63J-152X	MG R	1.5kΩ 1/16W J
R1739	NRSA63J-472X	MG R	4.7kΩ 1/16W J
R1740	NRSA63J-152X	MG R	1.5kΩ 1/16W J
R1741	NRSA63J-472X	MG R	4.7kΩ 1/16W J
R1742	NRSA63J-152X	MG R	1.5kΩ 1/16W J
R1743	NRSA63J-103X	MG R	10kΩ 1/16W J
R1745-46	NRSA63J-101X	MG R	100Ω 1/16W J
R1747	NRSA63J-0R0X	MG R	0.0Ω 1/16W J
R1748	NRSA63J-153X	MG R	15kΩ 1/16W J
R1751	NRSA63J-103X	MG R	10kΩ 1/16W J
R1752	NRSA63J-472X	MG R	4.7kΩ 1/16W J
R1753	NRSA63J-153X	MG R	15kΩ 1/16W J
R1754	NRSA63J-103X	MG R	10kΩ 1/16W J
R1755	NRSA63J-472X	MG R	4.7kΩ 1/16W J
R1756	NRSA63J-153X	MG R	15kΩ 1/16W J
R1757-58	NRSA63J-122X	MG R	1.2kΩ 1/16W J
R1759	NRSA63J-0R0X	MG R	0.0Ω 1/16W J
R1765-66	NRSA63J-0R0X	MG R	0.0Ω 1/16W J
R1767	NRSA63J-474X	MG R	470kΩ 1/16W J

△ Symbol No.	Part No.	Part Name	Description
RESISTOR			
R1768	NRSA63J-473X	MG R	47kΩ 1/16W J
R1769	NRSA63J-102X	MG R	1kΩ 1/16W J
R1801	NRSA63J-680X	MG R	68Ω 1/16W J
R1802-03	NRSA63J-750X	MG R	75Ω 1/16W J
R1804	NRSA63J-101X	MG R	100Ω 1/16W J
R1805	NRSA63J-333X	MG R	33kΩ 1/16W J
R1806-07	NRSA63J-102X	MG R	1kΩ 1/16W J
R1808	NRSA63J-122X	MG R	1.2kΩ 1/16W J
R1809	NRSA63J-101X	MG R	100Ω 1/16W J
R1810	NRSA63J-333X	MG R	33kΩ 1/16W J
R1821	NRSA63J-562X	MG R	5.6kΩ 1/16W J
R1822	NRSA63J-223X	MG R	22kΩ 1/16W J
R1831-33	NRSA63J-750X	MG R	75Ω 1/16W J
R1851	NRSA63J-101X	MG R	100Ω 1/16W J
R1852	NRSA63J-562X	MG R	5.6kΩ 1/16W J
R1853	NRSA63J-0R0X	MG R	0.0Ω 1/16W J
R1854-57	NRSA63J-471X	MG R	470Ω 1/16W J
△ R1901	QR074K-1R2	UNF R	1.2Ω 7W K
R1921	QRX029J-2R7	MF R	2.7Ω 2W J
△ R1923	QRJ146J-470X	C R	47Ω 1/4W J
R1924	QRN141J-334Y	C R	330kΩ 1/4W J
R1925	QRN141J-123Y	C R	12kΩ 1/4W J
△ R1926	QRF154J-271	UNF R	270 Ω 15W J
△ R1927	QRF154J-271	UNF R	270 Ω 15W J
R1954	QRE121J-102Y	C R	1kΩ 1/2W J
R1955	NRSA63J-223X	MG R	22kΩ 1/16W J
R1957	NRSA63J-222X	MG R	2.2kΩ 1/16W J
R1958	NRSA63J-103X	MG R	10kΩ 1/16W J
CAPACITOR			
C1001	QETN1HM-475Z	E CAP.	4.7μF 50V M
C1002	QETN1HM-106Z	E CAP.	10μF 50V M
C1003	QETN1CM-227Z	E CAP.	220μF 16V M
C1005-06	NDC31HJ-5R0X	C CAP.	5.0pF 50V J
C1011-12	NCB31HK-103X	C CAP.	0.01μF 50V K
C1014	QETN1CM-107Z	E CAP.	100μF 16V M
C1015-16	NCB31HK-103X	C CAP.	0.01μF 50V K
C1021	QETN1HM-474Z	E CAP.	0.47μF 50V M
C1023	QETN1CM-107Z	E CAP.	100μF 16V M
C1024	NCB31HK-103X	C CAP.	0.01μF 50V K
C1025	NCB31HK-102X	C CAP.	1000pF 50V K
C1026	QETN1HM-474Z	E CAP.	0.47μF 50V M
C1027	NCB31HK-104X	CHIP CAP.	0.1μF 50V K
C1028	QETN1HM-106Z	E CAP.	10μF 50V M
C1030	NCB31HK-103X	C CAP.	0.01μF 50V K
C1034	NCB31HK-103X	C CAP.	0.01μF 50V K
C1037	NCB31HK-103X	C CAP.	0.01μF 50V K
C1038	QETN1CM-107Z	E CAP.	100μF 16V M
C1041-42	QETN1HM-106Z	E CAP.	10μF 50V M
C1043-44	NDC31HJ-470X	C CAP.	47pF 50V J
C1045	QETN1HM-106Z	E CAP.	10μF 50V M
C1046	NCB31HK-103X	C CAP.	0.01μF 50V K
C1047	NDC31HJ-330X	C CAP.	33pF 50V J
C1048	NCB31HK-103X	C CAP.	0.01μF 50V K
C1111	QETN0JM-108Z	E CAP.	1000μF 6.3V M
C1112	NCB31HK-103X	C CAP.	0.01μF 50V K
C1113	QETN1HM-474Z	E CAP.	0.47μF 50V M
C1114	QETN1HM-105Z	E CAP.	1μF 50V M
C1115	QFV71HJ-104Z	MF CAP.	0.1μF 50V J
C1116	NCB31HK-104X	CHIP CAP.	0.1μF 50V K
C1201	NDC31HJ-100X	C CAP.	10pF 50V J
C1202	QETN1HM-224Z	E CAP.	0.22μF 50V M
C1203	NCB31HK-222X	CHIP CAP.	2200pF 50V K
C1221	QENC1EM-106Z	BP E CAP.	10μF 25V M
C1222	NDC31HJ-470X	C CAP.	47pF 50V J
C1223	NDC31HJ-101X	C CAP.	100pF 50V J
C1224	NDC31HJ-181X	C CAP.	180pF 50V J
C1225	QETN1HM-474Z	E CAP.	0.47μF 50V M
C1228	NCB31HK-103X	C CAP.	0.01μF 50V K
C1233	NCB31HK-103X	C CAP.	0.01μF 50V K

AV-N29302/R

△ Symbol No.	Part No.	Part Name	Description	△ Symbol No.	Part No.	Part Name	Description
CAPACITOR				CAPACITOR			
C1234	QETN1HM-476Z	E CAP.	47μF 50V M	C1616	QENC1HM-474Z	BP E CAP.	0.47μF 50V M
C1235-36	NCB31HK-103X	C CAP.	0.01μF 50V K	C1617	QETN1EM-476Z	E CAP.	47μF 25V M
C1237	QETN1HM-106Z	E CAP.	10μF 50V M	C1618	QETN1CM-107Z	E CAP.	100μF 16V M
C1238-39	NCB31HK-103X	C CAP.	0.01μF 50V K	C1619	QETN1CM-477Z	E CAP.	470μF 16V M
C1240	NCB31HK-472X	C CAP.	4700pF 50V K	C1620	NCB31HK-104X	CHIP CAP.	0.1μF 50V K
C1242-44	NCB31HK-103X	C CAP.	0.01μF 50V K	C1621	NRSA63J-0R0X	MG R	0.0Ω 1/16W J
C1245	NDC31HJ-181X	C CAP.	180pF 50V J	C1622	QENC1HM-474Z	BP E CAP.	0.47μF 50V M
C1246	QETN1HM-106Z	E CAP.	10μF 50V M	C1623	QETN1EM-476Z	E CAP.	47μF 25V M
C1247	NCB31HK-103X	C CAP.	0.01μF 50V K	C1624	QETN1CM-107Z	E CAP.	100μF 16V M
C1249-52	NCB31HK-103X	C CAP.	0.01μF 50V K	C1625	QETN1CM-477Z	E CAP.	470μF 16V M
C1253	QETN1HM-106Z	E CAP.	10μF 50V M	C1626	NCB31HK-104X	CHIP CAP.	0.1μF 50V K
C1254	NCB31HK-103X	C CAP.	0.01μF 50V K	C1627	QETN1CM-107Z	E CAP.	100μF 16V M
C1261	QETN1HM-476Z	E CAP.	47μF 50V M	C1641-42	QETN1HM-106Z	E CAP.	10μF 50V M
C1262	NCB31HK-103X	C CAP.	0.01μF 50V K	C1645-48	QETN1HM-106Z	E CAP.	10μF 50V M
C1265	NDC31HJ-390X	C CAP.	39pF 50V J	C1651	NCB31HK-103X	C CAP.	0.01μF 50V K
C1271	QETN1HM-106Z	E CAP.	10μF 50V M	C1652	QETN1CM-107Z	E CAP.	100μF 16V M
C1281	QETN1HM-474Z	E CAP.	0.47μF 50V M	C1653	QETN1EM-476Z	E CAP.	47μF 25V M
C1282	QETN1CM-227Z	E CAP.	220μF 16V M	C1654	NCB31HK-104X	CHIP CAP.	0.1μF 50V K
C1283	NCB31HK-103X	C CAP.	0.01μF 50V K	C1655	QENC1HM-475Z	BP E CAP.	4.7μF 50V M
C1284	QETN1HM-225Z	E CAP.	2.2μF 50V M	C1656	QENC1HM-105Z	BP E CAP.	1μF 50V M
C1285	NCB31HK-272X	CHIP CAP.	2700pF 50V K	C1657	QETN1HM-225Z	E CAP.	2.2μF 50V M
C1286	QETN1HM-106Z	E CAP.	10μF 50V M	C1658	NCB31HK-473X	CHIP CAP.	0.047μF 50V K
C1287	QETN1CM-107Z	E CAP.	100μF 16V M	C1659	QETN1HM-474Z	E CAP.	0.47μF 50V M
C1288	NCB31HK-103X	C CAP.	0.01μF 50V K	C1660-61	NCB31HK-104X	CHIP CAP.	0.1μF 50V K
C1311	QETN1HM-106Z	E CAP.	10μF 50V M	C1662	QETN1HM-335Z	E CAP.	3.3μF 50V M
C1312	QFV71HJ-154Z	MF CAP.	0.15μF 50V J	C1663	QETN1HM-105Z	E CAP.	1μF 50V M
C1323	NDC31HJ-150X	C CAP.	15pF 50V J	C1664	QETN1HM-106Z	E CAP.	10μF 50V M
C1333	NCB31HK-104X	CHIP CAP.	0.1μF 50V K	C1665-66	QETN1HM-105Z	E CAP.	1μF 50V M
C1354-55	NDC31HJ-271X	CER. CAPACITOR	270pF 50V J	C1667	QETN1HM-336Z	E CAP.	33μF 50V M
C1356	NDC31HJ-331X	C CAP.	330pF 50V J	C1668	QETN1HM-105Z	E CAP.	1μF 50V M
C1357	QETN1CM-107Z	E CAP.	100μF 16V M	C1669-70	QENC1HM-105Z	BP E CAP.	1μF 50V M
C1371	NCB31HK-103X	C CAP.	0.01μF 50V K	C1671	QETN1HM-225Z	E CAP.	2.2μF 50V M
△ C1382	QCZ0121-102	C CAP.	1000pF 3kV Z	C1672	NCB31HK-222X	CHIP CAP.	2200pF 50V K
C1391	QETN1CM-107Z	E CAP.	100μF 16V M	C1673	NCB31HK-104X	CHIP CAP.	0.1μF 50V K
C1392	NCB31HK-103X	C CAP.	0.01μF 50V K	C1674	QETN1HM-225Z	E CAP.	2.2μF 50V M
C1393-95	NCB31HK-104X	CHIP CAP.	0.1μF 50V K	C1675	NCB31HK-222X	CHIP CAP.	2200pF 50V K
C1421	NCB31HK-102X	C CAP.	1000pF 50V K	C1676	NCB31HK-104X	CHIP CAP.	0.1μF 50V K
C1422	NCB31HK-472X	C CAP.	4700pF 50V K	C1679	QETN1HM-105Z	E CAP.	1μF 50V M
C1424	QETN1VM-107Z	E CAP.	100μF 35V M	C1680	QETN1EM-476Z	E CAP.	47μF 25V M
C1425	QETN1VM-477Z	E CAP.	470μF 35V M	C1682-83	QETN1HM-474Z	E CAP.	0.47μF 50V M
C1427	QETN1HM-225Z	E CAP.	2.2μF 50V M	C1701	NDC31HJ-560X	C CAP.	56pF 50V J
C1428	QETN1EM-228	E CAP.	2200pF 25V M	C1703	NCB31HK-102X	C CAP.	1000pF 50V K
C1431	QFLC1HJ-563Z	M CAP.	0.056μF 50V J	C1704	NCB31HK-103X	C CAP.	0.01μF 50V K
C1435	NCB21HK-223X	C CAP.	0.022μF 50V K	C1705	NDC31HJ-151X	C CAP.	150pF 50V J
C1437	QETN1HM-106Z	E CAP.	10μF 50V M	C1706	NCB31HK-104X	CHIP CAP.	0.1μF 50V K
C1521	NCB31HK-332X	CHIP CAP.	3300pF 50V K	C1707	QETN1HM-105Z	E CAP.	1μF 50V M
C1522	NCB31HK-822X	CHIP CAP.	8200pF 50V K	C1708	NCS21HJ-221X	C CAP.	220pF 50V J
C1523	QEM61HK-105Z	E CAP.	1μF 50V K	C1709	NCS21HJ-102X	C CAP.	1000pF 50V J
△ C1524	QFZ0117-125Z	MPP CAP.	0.012μF1.4kVH±2.5%	C1710	NDC31HJ-681X	C CAP.	680pF 50V J
△ C1525	QEZ0203-107	E CAP.	100μF 160V M	C1711	QETN1HM-474Z	E CAP.	0.47μF 50V M
△ C1526	QFZ0119-534	MPP CAP.	0.53μF 200V ±3%	C1712	NCB31HK-102X	C CAP.	1000pF 50V K
C1527	QCB32HK-561Z	C CAP.	560pF 500V K	C1714	NCB31HK-103X	C CAP.	0.01μF 50V K
C1543	QETN1VM-477Z	E CAP.	470μF 35V M	C1716	QETN1EM-476Z	E CAP.	47μF 25V M
C1545	QETN1CM-227Z	E CAP.	220μF 16V M	C1717	NCB31HK-104X	CHIP CAP.	0.1μF 50V K
C1546	QETN1CM-477Z	E CAP.	470μF 16V M	C1718	NCB31HK-103X	C CAP.	0.01μF 50V K
C1548	QETN1CM-227Z	E CAP.	220μF 16V M	C1719-20	QETN1CM-107Z	E CAP.	100μF 16V M
C1551	QETN1CM-227Z	E CAP.	220μF 16V M	C1721	NCB31HK-104X	CHIP CAP.	0.1μF 50V K
C1552	QETN1CM-107Z	E CAP.	100μF 16V M	C1722-23	NDC31HJ-5R0X	C CAP.	5.0pF 50V J
C1561	QETN1HM-106Z	E CAP.	10μF 50V M	C1724	NCB31HK-103X	C CAP.	0.01μF 50V K
C1562	QETN1HM-475Z	E CAP.	4.7μF 50V M	C1725	QETN1AM-227Z	E CAP.	220μF 10V M
C1563	NCB31HK-103X	C CAP.	0.01μF 50V K	C1751	QETN1EM-476Z	E CAP.	47μF 25V M
C1581	QETN2EM-106Z	E CAP.	10μF 250V M	C1801-02	QETN1HM-106Z	E CAP.	10μF 50V M
C1582	NCB31HK-473X	CHIP CAP.	0.047μF 50V K	C1803	QETN1HM-105Z	E CAP.	1μF 50V M
C1584	QFLC1HJ-473Z	M CAP.	0.047μF 50V J	C1804-05	QETN1HM-106Z	E CAP.	10μF 50V M
C1601-02	QENC1HM-105Z	BP E CAP.	1μF 50V M	C1808	QETN1EM-476Z	E CAP.	47μF 25V M
C1603-06	NCB31HK-332X	CHIP CAP.	3300pF 50V K	C1809-10	QETN1HM-106Z	E CAP.	10μF 50V M
C1607-08	QETN1HM-106Z	E CAP.	10μF 50V M	C1831-33	NCB31HK-104X	CHIP CAP.	0.1μF 50V K
C1609	QETN1EM-476Z	E CAP.	47μF 25V M	△ C1911	QCZ9054-102	C CAP.	1000pFAC250V Z
C1610	NCB31HK-104X	CHIP CAP.	0.1μF 50V K	△ C1912	QCZ9054-102	C CAP.	1000pFAC250V Z
C1611-12	QETN1HM-105Z	E CAP.	1μF 50V M	△ C1913	QCZ9054-102	C CAP.	1000pFAC250V Z
C1614	QETN1EM-227Z	E CAP.	220μF 25V M	△ C1914	QEZ0429-477	E CAP.	470μF 200V M
C1615	NRSA63J-0R0X	MG R	0.0Ω 1/16W J	C1921	QHR2CM-335Z	E CAP.	3.3μF 160V M

AV-N29302/R

Symbol No.	Part No.	Part Name	Description
CAPACITOR			
C1922	QEHQ2CM-336	E CAP.	33μF 160V M
C1953	QETN1EM-107Z	E CAP.	100μF 25V M
C1954	NCB31HK-473X	CHIP CAP.	0.047μF 50V K
C1956	QETN1HM-106Z	E CAP.	10μF 50V M
C1959	QETN1HM-336Z	E CAP.	33μF 50V M
△ C1981	QCZ9073-332	C CAP.	3300pFAC250V M

Symbol No.	Part No.	Part Name	Description
TRANSFORMER			
△ T1521	CE41106-00CJ1	DRIVE TRANSF.	
△ T1522	QQH0028-001	H.V. TRANSF.	

Symbol No.	Part No.	Part Name	Description
COIL			
L1012	QQLZ014-R39	PEAKING COIL	
L1022	QQL244K-220Z	PEAKING COIL	
L1042	QQL244K-220Z	PEAKING COIL	
L1221	QQL244K-4R7Z	COIL	4.7μH K
L1235	QQL244K-4R7Z	COIL	4.7μH K
L1262	QQL244K-150Z	COIL	15μH K
L1321	QQL244K-150Z	COIL	15μH K
L1381	QQL03BJ-390Z	COIL	39μH J
L1521	CELL004-001	LINEARITY COIL	

Symbol No.	Part No.	Part Name	Description
DIODE			
D1001	MTZJ33A-T2	ZENER DIODE	
D1021	MTZJ9.1C-T2	ZENER DIODE	
D1301	1SS133-T2	SI. DIODE	
D1302	1SS133-T2	SI. DIODE	
D1303	1SS133-T2	SI. DIODE	
D1304	1SS133-T2	SI. DIODE	
D1305	1SS133-T2	SI. DIODE	
D1306	1SS133-T2	SI. DIODE	
D1311	MTZJ9.1C-T2	ZENER DIODE	
D1312	1SS133-T2	SI. DIODE	
D1421	1N4003-T2	SI. DIODE	
D1422	MTZJ75-T2	ZENER DIODE	
D1423	1SS133-T2	SI. DIODE	
△ D1541	RGP10J-5025-T3	SI. DIODE	
D1542	1SR35-400A-T2	SI. DIODE	
△ D1543	RGP10J-5025-T3	SI. DIODE	
△ D1544	RGP10J-5025-T3	SI. DIODE	
D1561	1SS81-T2	SI. DIODE	
△ D1562	MA4068N/Z1/-T2	ZENER DIODE	
D1563	1SS133-T2	SI. DIODE	
D1581	RH15-T3	SI. DIODE	
△ D1582	RGP10J-5025-T3	SI. DIODE	
D1583	MTZJ9.1C-T2	ZENER DIODE	
D1602	1SS133-T2	SI. DIODE	
D1631-34	MTZJ9.1C-T2	ZENER DIODE	
D1636-37	MTZJ9.1C-T2	ZENER DIODE	
D1659-60	MTZJ9.1C-T2	ZENER DIODE	
D1704	1SS133-T2	SI. DIODE	
D1717-18	MTZJ9.1C-T2	ZENER DIODE	
D1751	SLR-342VR3F	L. E. D.	
D1801-02	MTZJ9.1C-T2	ZENER DIODE	
D1804-05	MTZJ9.1C-T2	ZENER DIODE	
D1807	MTZJ9.1C-T2	ZENER DIODE	
D1831-33	MTZJ5.6A-T2	ZENER DIODE	
△ D1911	D35B60	BRIDGE DIODE	
D1953	1SR35-400A-T2	SI. DIODE	
D1957	1SS133-T2	SI. DIODE	

Symbol No.	Part No.	Part Name	Description
TRANSISTOR			
Q1011	2SC5083/L-P/-T	SI. TRANSISTOR	
Q1023	2SA1037AK/QR/-X	SI. TRANSISTOR	
Q1025	2SA1037AK/QR/-X	SI. TRANSISTOR	
Q1041	2SA1037AK/QR/-X	SI. TRANSISTOR	
Q1221-22	2SC2412K/QR/-X	SI. TRANSISTOR	
Q1261-62	2SC2412K/QR/-X	SI. TRANSISTOR	
Q1272	2SC2412K/QR/-X	SI. TRANSISTOR	
Q1281	DTC124EKA-X	DIGI. TRANSISTOR	
Q1311	2SC2412K/QR/-X	SI. TRANSISTOR	

Symbol No.	Part No.	Part Name	Description
TRANSISTOR			
Q1321-22	2SC2412K/QR/-X	SI. TRANSISTOR	
Q1351-53	2SC4544-LB	SI. TRANSISTOR	
Q1371	2SC2412K/QR/-X	SI. TRANSISTOR	
Q1521	2SC2655/Y/-T	SI. TRANSISTOR	
△ Q1522	2SD2499-LB	SI. TRANSISTOR	H. OUT
△ Q1561	2SC2785/JH/-T	SI. TRANSISTOR	
Q1562	2SA933AS/QR/-T	SI. TRANSISTOR	
Q1602	DTC323TK-X	DIGI. TRANSISTOR	
Q1631-32	DTC124EKA-X	DIGI. TRANSISTOR	
Q1651-54	2SC2412K/QR/-X	SI. TRANSISTOR	
Q1655	2SA1037AK/QR/-X	SI. TRANSISTOR	
Q1701-03	2SC2412K/QR/-X	SI. TRANSISTOR	
Q1704	DTC323TK-X	DIGI. TRANSISTOR	
Q1801	2SC2412K/QR/-X	SI. TRANSISTOR	
Q1802	2SA1037AK/QR/-X	SI. TRANSISTOR	
Q1821-22	DTC124EKA-X	DIGI. TRANSISTOR	
Q1851	2SC2412K/QR/-X	SI. TRANSISTOR	
Q1952	2SA966/OY/-T	SI. TRANSISTOR	
Q1953	2SC2412K/QR/-X	SI. TRANSISTOR	

Symbol No.	Part No.	Part Name	Description
IC			
IC1101	TB1253AN	I. C. (M)	
IC1201	TC90A53N	I. C. (DIGI-MOS)	
△ IC1421	LA7840	I. C. (MONO-ANA)	
IC1541	AN7809F	I. C. (MONO-ANA)	
IC1551	AN7805F	I. C. (MONO-ANA)	
IC1601	NJM2150AD	I. C. (MONO-ANA)	
△ IC1602	LA4446	I. C. (MONO-ANA)	
IC1631	TC4066BP/W/	I. C. (DIGI-MOS)	
IC1651	UPC1851BCU	I. C. (MONO-ANA)	
IC1652	BA15218N	I. C. (MONO-ANA)	
IC1701	M37272MA-3145P	I. C. (MICRO-COMP)	
IC1702	AT24C02-27D302	I. C.	(SERVICE)
IC1703	L78LR05E-MA	I. C. (MONO-ANA)	
IC1751	GP1U281Q	IFR DETECT UNIT	
IC1801	BA7649A	I. C. (MONO-ANA)	
IC1821	TC4066BP/W/	I. C. (DIGI-MOS)	
△ IC1921	STR30134	I. C. (H)	
IC1951	AN7809F	I. C. (MONO-ANA)	

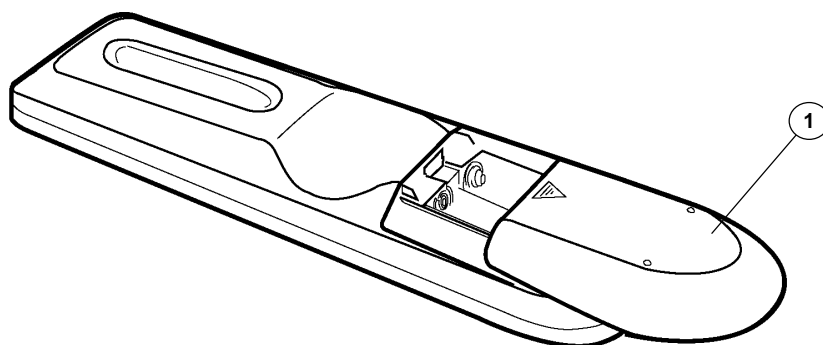
Symbol No.	Part No.	Part Name	Description
OTHERS			
CF1001	LC30190-001B-A	L. E. D. HOLDER	
CF1021	QAX0349-001	CERAMIC FILTER	
CF1041	QAX0642-001Z	CERAMIC FILTER	
CF1701	CST8.00MTW	CER. RESONATOR	
CF1702	QAX0428-001	CER. RESONATOR	
△ F1902	QMF0007-1R25J1	FUSE	1.25A
△ FC1902	CEMG002-001Z	FUSE CLIP	
△ FR1720	QRZ9017-820	F R	82 Ω 1/4W J
J1001	QNZ0454-001	PIN JACK	
J1002	QNN0348-001	PIN JACK	
J1003	QNN0349-002	PIN JACK	
J1004	QNN0348-001	PIN JACK	
J1005	QNN0281-003	PIN JACK	
J1006	QNN0281-002	PIN JACK	
J1007	QNN0282-001	PIN JACK	
K1421	QQR0582-001Z	BEADS CORE	
S1421	QSL4A13-C02	LEVER SWITCH	V. CENTER SW
S1751	QSW0619-003Z	PUSH SWITCH	MENU
S1752	QSW0619-003Z	PUSH SWITCH	CH-
S1753	QSW0619-003Z	PUSH SWITCH	CH+
S1754	QSW0619-003Z	PUSH SWITCH	VOL-
S1755	QSW0619-003Z	PUSH SWITCH	VOL+
S1756	QSW0619-003Z	PUSH SWITCH	POWER
SF1011	QAX0324-002	SAW FILTER	
△ SK1351	QNZ0464-001	C. R. T. SOCKET	
△ TU1001	QAU0229-001	TUNER	
X1201	CE40668-001Z	CRYSTAL	

POWER P.W. BOARD ASS'Y (SFD-9001A-M2)

Refer to PARTS LIST in page 38 for this P.W. board.

REMOTE CONTROL UNIT PARTS LIST (RM-C303G-1A)

△ Ref.No.	Part No.	Part Name	Description
1	UR52EC1286C	BATTERY COVER	(RM-C303G-1A)



PACKING PARTS LIST

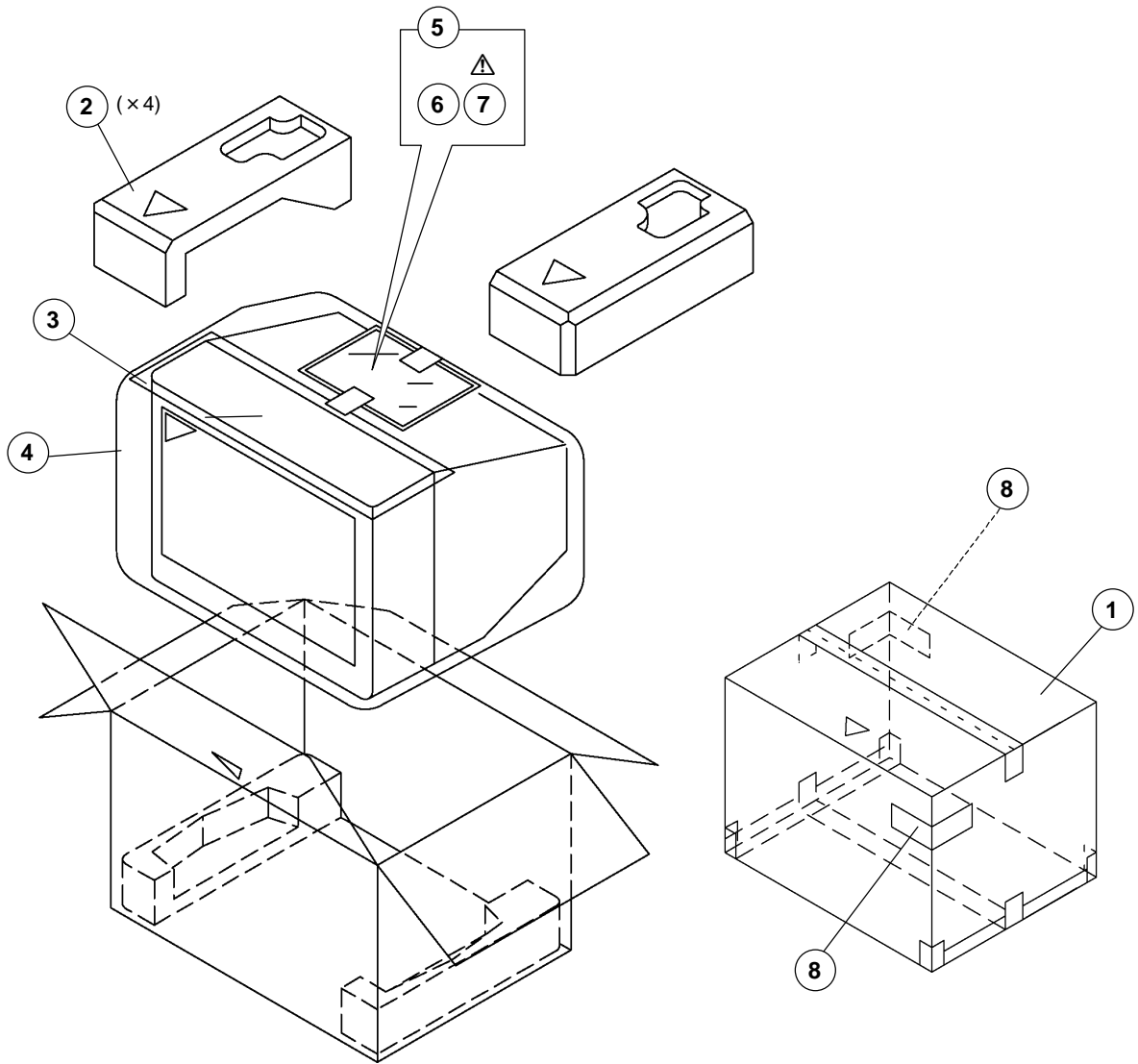
AV-N29302/s

△ Ref.No.	Part No.	Part Name	Description
1	GQ10009-012A-A	P.CASE ASSY	4pcs in 1set
2	GQ10019-001A-A	CUSHION ASSY	
3	CP30055-001-A	TOP COVER	
4	CP30056-008-A	POLY BAG	
5	QPA02503505	POLY BAG	
6	RM-C303G-1A	REMOCON UNIT	
△ 7	LCT1016-001A-A	INST BOOK	2pcs in 1set
8	CM36616-001-A	CORNER LABEL	

AV-N29302/R

△ Ref.No.	Part No.	Part Name	Description
1	GQ10009-012A-A	P.CASE ASSY	4pcs in 1set
2	GQ10019-001A-A	CUSHION ASSY	
3	CP30055-001-A	TOP COVER	
4	CP30056-008-A	POLY BAG	
5	QPA02503505	POLY BAG	
6	RM-C303G-1A	REMOCON UNIT	
△ 7	LCT1016-001A-A	INST BOOK	2pcs in 1set
8	CM36616-001-A	CORNER LABEL	

PACKING



Memo

Memo
